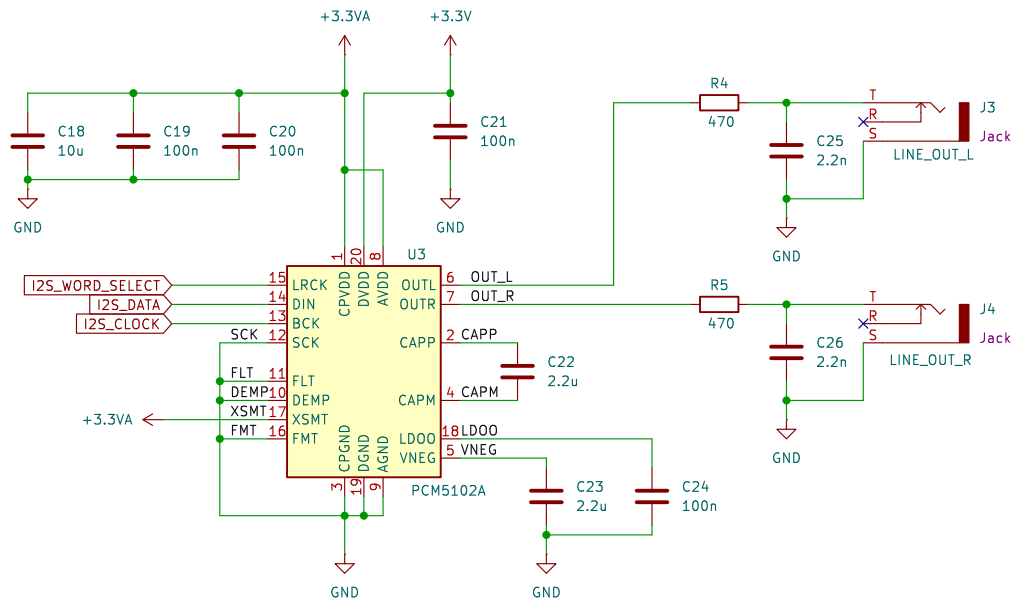


Sheet: /		Date:	
File: Drumbadum_v1.0.kicad_sch			
Title:			
Size: A4	Date:		Rev:
KiCad E.D.A. 8.0.1			Id: 1/3



Sheet: /DAC/
 File: DAC.kicad_sch

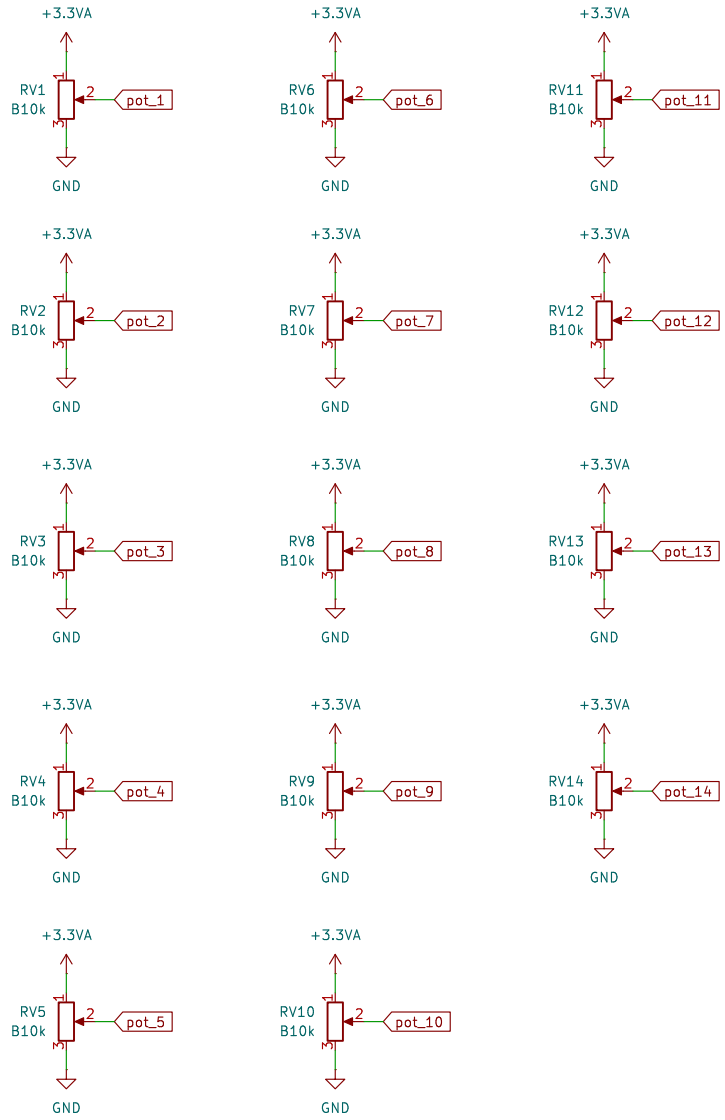
Title:

Size: A4
 KiCad E.D.A. 8.0.1

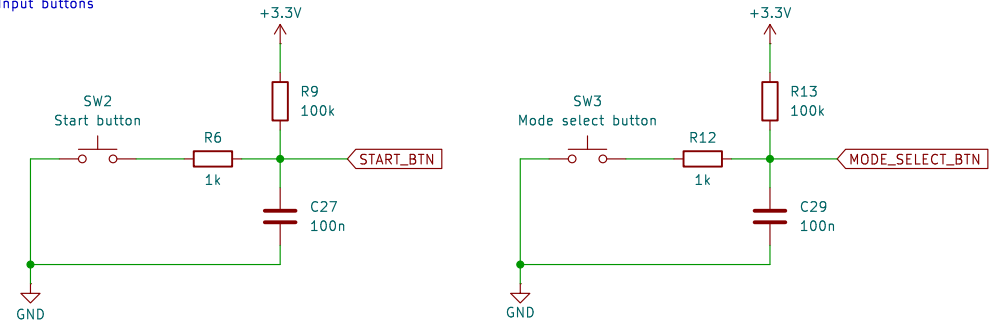
Date:

Rev:
 Id: 2/3

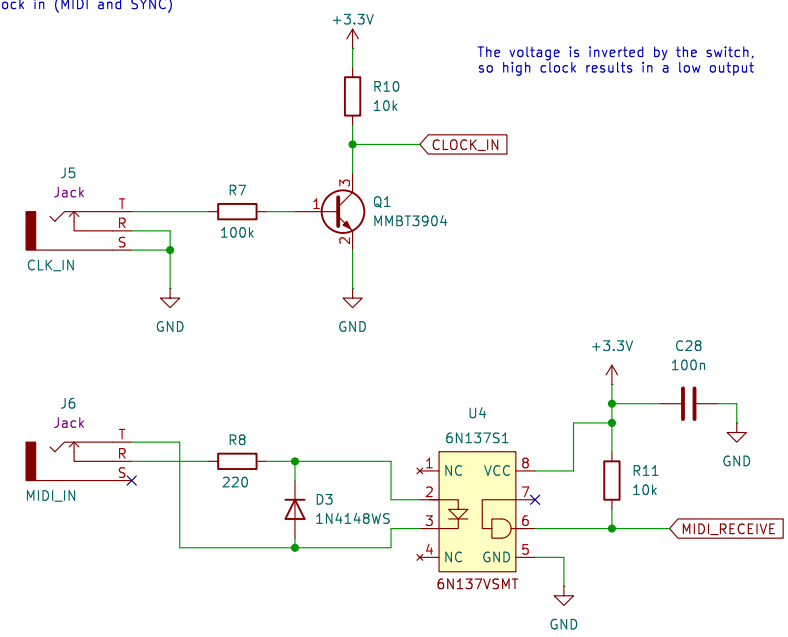
Input potentiometers



Input buttons



Clock in (MIDI and SYNC)



Sheet: /Interface/
File: Interface.kicad_sch

Title:

Size: A4 Date:

KiCad E.D.A. 8.0.1

Rev:

Id: 4/3